



# GUARD+®

60" x 34" Vikrell® shower base, center drain  
72331100



## Features

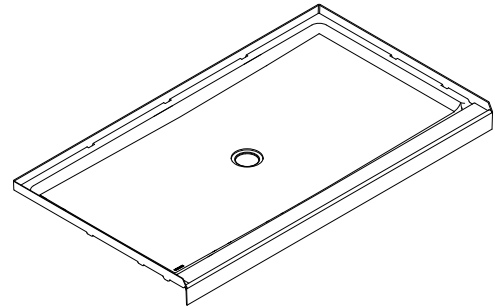
- Full-length water-containment guard and 1" (25 mm) weep channels redirect water into the base, providing four-sided water containment
- 3-1/8" (79 mm) threshold
- Durable high-gloss finish
- Textured bottom surface
- Suitable for tile-down applications
- Compatible with select STERLING Curve, Medley®, Traverse®, and STORE+® shower walls

## Material

- Made from solid Vikrell® material for strength, durability, and lasting beauty

## Recommended Products/Accessories

- 5475-59 Frameless sliding shower door
- 5970-59 Framed sliding shower door
- 5975-59 Framed sliding shower door
- 5976-59 Framed sliding shower door
- 547808-59 Frameless sliding shower door
- 581075-59 Frameless sliding shower door
- 80001012 12" straight grab bar
- 80001018 18" straight grab bar
- 80001024 24" straight grab bar
- 72186104 Freestanding shower seat
- K-23726 Drain treatment



## Codes/Standards

CSA B45.5/IAPMO Z124  
HUD, UM Bulletin 73

## STERLING® Vikrell® or Acrylic Baths and Shower Bases Ten-Year Limited Warranty

See website for detailed warranty information.

## Available Colors/Finishes

*Color tiles intended for reference only.*

### Color Code Description

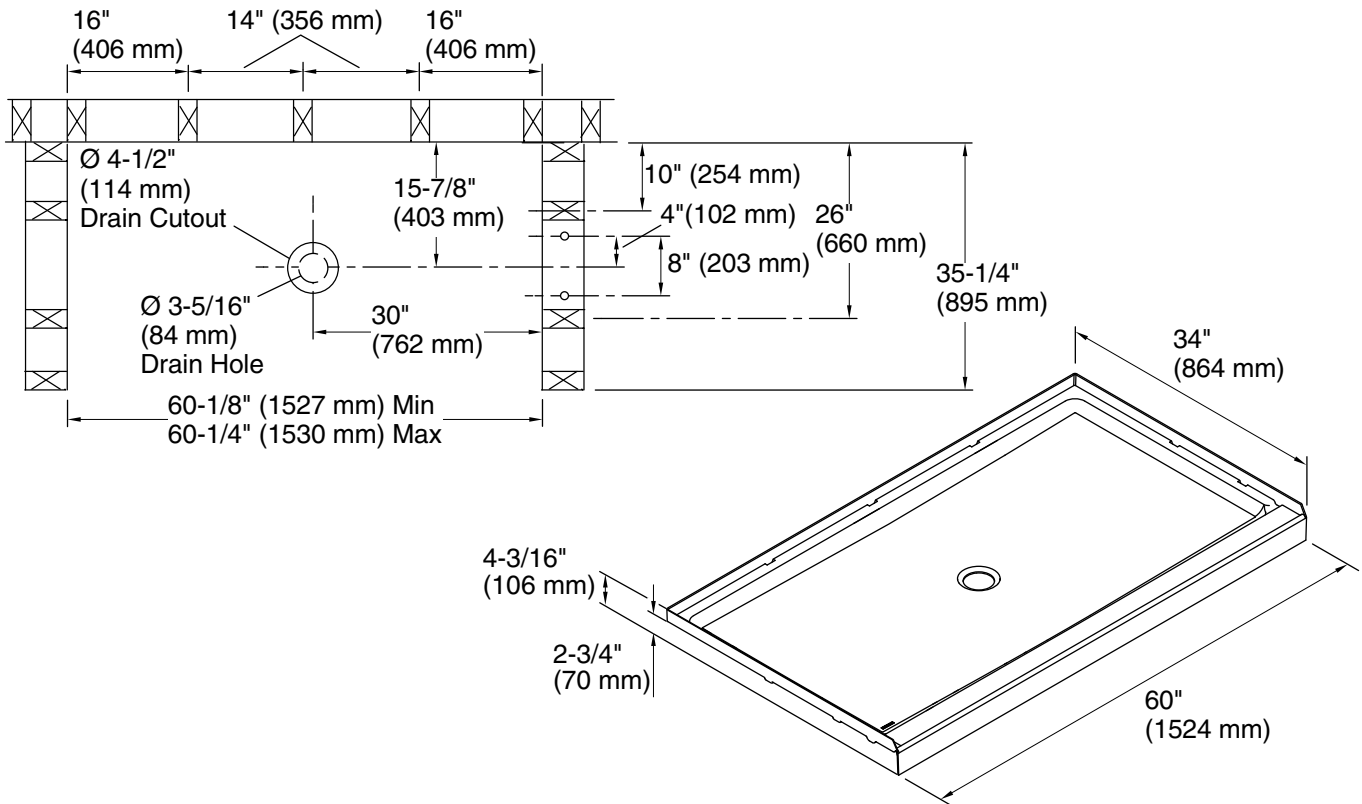
	0	White
---	---	-------

1-800-STERLING (1-800-783-7546)

Kohler Co. reserves the right to make revisions without notice to product specifications.

For the most current Specification Sheet, go to [www.sterlingplumbing.com](http://www.sterlingplumbing.com).

3-21-2026 20:04 - US/CA



**Technical Information**

All product dimensions are nominal.

- Drain location: Center
- Weight: 37.5 lbs (17 kg)
- Minimum flat for door: 2-1/2" (64 mm)

**Notes**

- Install this product according to the installation instructions.
- Studs should be positioned roughly as shown.
- Double studding is recommended for pivot shower door installations.