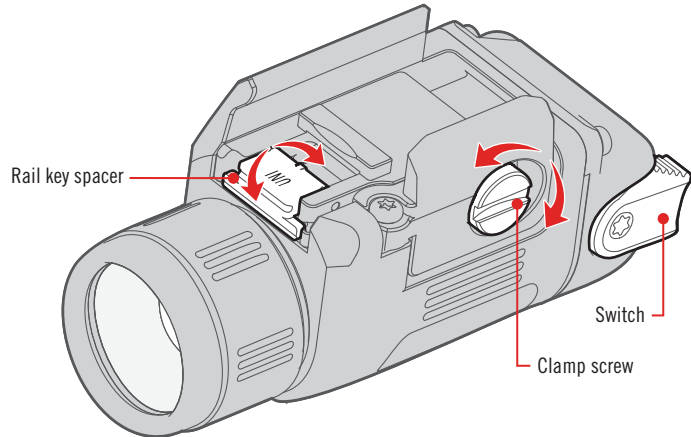


Please read and review all instructions and warnings before attaching or operating the light.

PTX30R

TRU-FIT™ MOUNTING SYSTEM:

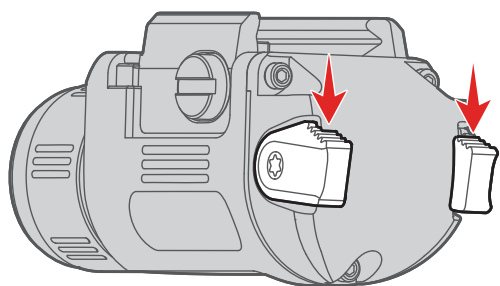


1. Flip the rail key spacer to the correct recoil lug width for your firearm.
 - Spacer key rotated up for Picatinny recoil lug width.
 - Spacer key rotated down for Universal / Glock™ recoil lug width.
2. Loosen clamp screw until the mounting track moves freely.
3. Align light on your mounting rail and adjust to your preferred positioning. Hand tighten clamp screw and check for finger placement on switch. If needed, loosen clamp screw again and adjust mounting rail or move to different rail recoil log slot to ensure proper finger placement on switch.
4. Once light is properly positioned, fully tighten clamp screw using included coin or flathead screwdriver to secure mount door.

WARNING: HANDLING OR USING A FIREARM IS DANGEROUS AND MAY RESULT IN SERIOUS INJURY, DAMAGE TO PROPERTY, OR DEATH. IT IS IMPERATIVE THAT SAFETY MEASURES BE EMPLOYED AT ALL TIMES WHILE HANDLING THE FIREARM. ALWAYS ENSURE THAT THE FIREARM IS UNLOADED AND THE BREECH IS OPEN PRIOR TO INSTALLATION, REMOVAL, OR ADJUSTMENT.

NOTE: 25 inch-pounds is the recommended tightening force. Do not over tighten to prevent damage to light or clamp screw.

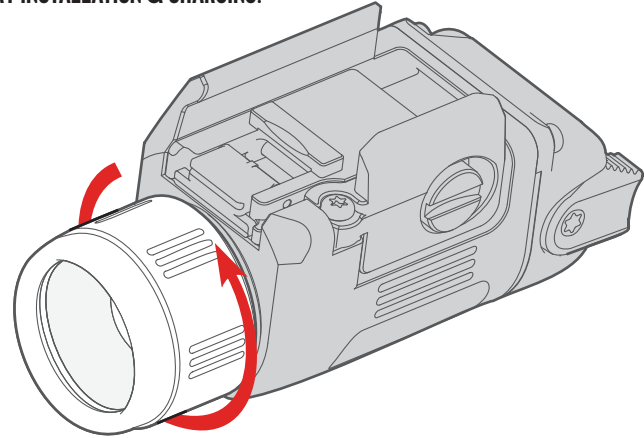
SWITCH OPERATION:



Momentary: Apply continuous downward pressure to either switch for at least 0.5 seconds. Release pressure to turn light off.

Steady-On: Quickly press down and release either switch to engage steady-on mode. Repeat to turn light off.

BATTERY INSTALLATION & CHARGING:



Twist the collar counter-clockwise to unscrew the optic assembly and access the battery compartment to remove or replace the battery.

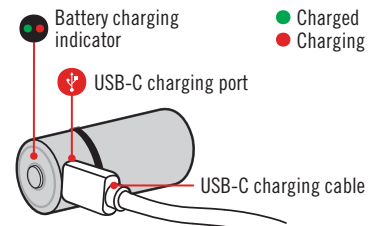
POWER:

The PTX30 R can be powered by the included ZX310 rechargeable battery or a CR123A disposable battery.

CAUTION: ONLY COMPATIBLE WITH COAST RECHARGEABLE BATTERIES OR CR123A DISPOSABLE LITHIUM BATTERIES. DO NOT ATTEMPT TO POWER WITH OTHER AFTERMARKET RECHARGEABLE BATTERIES.

EXPLOSION RISK, BURN, AND FIRE HAZARD. DO NOT DISASSEMBLE, CRUSH, SHORT CIRCUIT, HEAT ABOVE 140 DEGREES FAHRENHEIT (60 DEGREES CELSIUS) OR DISCARD IN FIRE. DO NOT RECHARGEABLE CR123A. USE ONLY WITH THE SPECIFIED COAST PRODUCTS. KEEP AWAY FROM CHILDREN.

BATTERY MUST BE RECYCLED OR DISPOSED OF PROPERLY.



CHARGING:

Insert the USB-C charging cable into the charging port on the battery and connect to a power source. While charging, the charge level indicator light on the positive end of the battery will glow red. Once fully charged, the indicator light will glow green.

Fully charge before first use.

Always fully charge to extend battery life.

Charge battery every 3 months and/or after each extensive use to ensure light is always at full power capacity.

WARNING: HANDLING A FIREARM CAN BE DANGEROUS AND MAY RESULT IN SERIOUS INJURY, DAMAGE TO PROPERTY, OR DEATH. FOLLOW BOTH THE FLASHLIGHT AND FIREARM MANUFACTURER'S SAFETY/OPERATING INSTRUCTIONS. NEVER HANDLE A FIREARM UNLESS YOU HAVE RECEIVED QUALIFIED TRAINING. SAFETY MEASURES MUST BE EMPLOYED AT ALL TIMES. NEVER POINT THE FIREARM AT SOMETHING YOU DO NOT INTEND TO SHOOT.

CARE:

Keep lens clean and free of markings or debris to avoid damage to the optic. To clean, wipe the exterior with a damp cloth.

CAUTION: LED RADIATION (RG-2). DO NOT STARE INTO BEAM. MAY BE HARMFUL TO EYES. PER IEC 62471 ED 1.0:2006-07.

CAUTION: THIS PRODUCT PROVIDES A POWERFUL BEAM. IT MAY BECOME NOTICEABLY WARM AFTER EXTENDED USE. THIS IS NORMAL AND IS NOT A DEFECT. IF THE LIGHT BECOMES UNCOMFORTABLY WARM, DISCONTINUE USE UNTIL COOLED.

WARNING: RISK OF INJURY. THE USE OF A SUBSTANDARD OR AFTERMARKET COMPONENTS, MODIFICATIONS OF THE ORIGINAL PARTS, OR USE OF THIS FLASHLIGHT WITH ANY INCOMPATIBLE PRODUCT MAY VOID WARRANTY AND COULD LEAD TO PRODUCT FAILURE OR PERSONAL INJURY.

WARNING: ACCIDENTAL DISCHARGE OF A FIREARM MAY RESULT IN SERIOUS INJURY, DAMAGE TO PROPERTY, OR DEATH. MAKE SURE THAT THE FIREARM IS UNLOADED AND THE BREECH IS OPEN WHEN INSTALLING, CLEANING, ADJUSTING AIM, MAINTAINING, OR REMOVING THIS PRODUCT. ONLY ACTIVATE THE FLASHLIGHT WITH THE NON-TRIGGER HAND WHILE EMPLOYING A TWO-HAND GRIP ON THE FIREARM AND WITH THE TRIGGER FINGER OUTSIDE THE TRIGGER GUARD.



INNOVATION

At COAST, the spirit of practical innovation reaches back more than a century to our founding in Portland, Oregon. Our earliest products helped cannery workers and timbermen do their work faster and safer.

Today, our advanced lighting, cutting tools, and battery technologies simplify jobs and embolden recreation all across the world. We're inspired by life's everyday challenges to create best-in-class products that always rise to the occasion.



LIFETIME WARRANTY

At COAST, we stand behind everything we make. Your PTX30R is protected by COAST's warranty, and is guaranteed against defects in workmanship for the life of the product.

COASTPORTLAND.COM

COAST PRODUCTS
8033 N.E. Holman
Portland, OR 97218

Facebook: COASTproducts
Twitter: @COASTproducts
Instagram: @COASTportland

26-158v01B 2601A